

Features:

- Passive low frequency speaker with one 15" woofer.
- Voice coil in the 15" woofer is made from \varnothing 100mm copper cladding aluminium ribbon wire. Its efficiency is 20% higher than normal round wires.
- Heavy duty protective grille.
- 500W big power output.



Beta Three



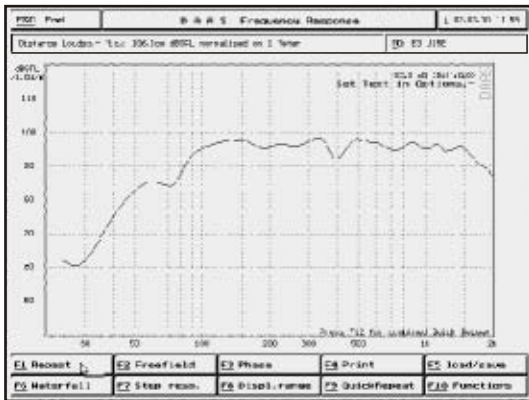
Model: UI5B

Technical Parameters

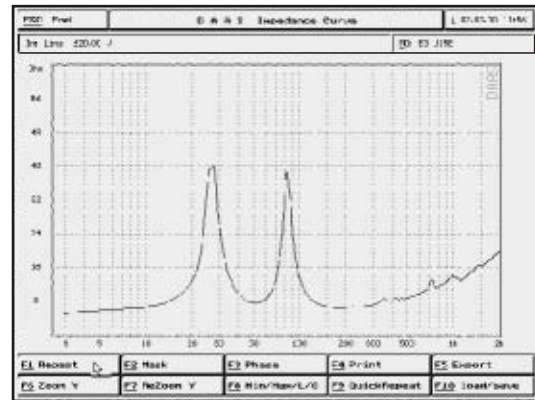
System:	Passive Low Frequency Speaker
Cabinet:	Polypropylene, Trapezoid
Cabinet Color:	Black, White, Blue, Gray
Drive Quantity:	1x15" (Bass)
Frequency Response(-3dB):	40Hz-1.5KHz
Frequency Response(-10dB):	35Hz-2KHz
Sensitivity:	97dB
Impedance:	8 Ohm
Max Noise Power(RMS)	500W
Average Sound level:	124dB
Harmonic Distortion:	≤3%
Connectors:	2xNL4
Dimensions(WxDxH mm/pcs):	485x700x460mm
Packing Dimensions(WxDxH mm/pcs)	545x515X800mm
Net Weight(Kg/pcs):	25.2Kg
Gross Weight(Kg/pcs):	27.2Kg

PROFESSIONAL AUDIO SYSTEM

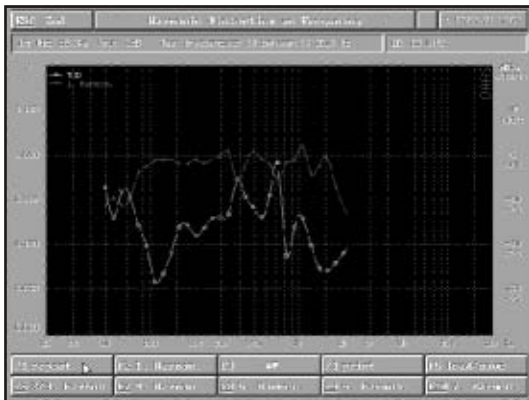
UI5B



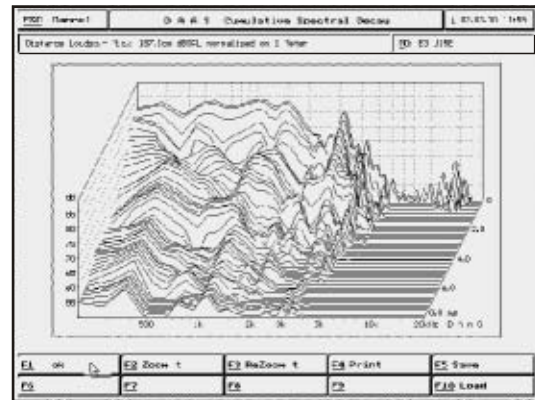
Frequency response, SPL/2.83v



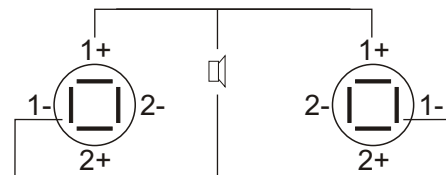
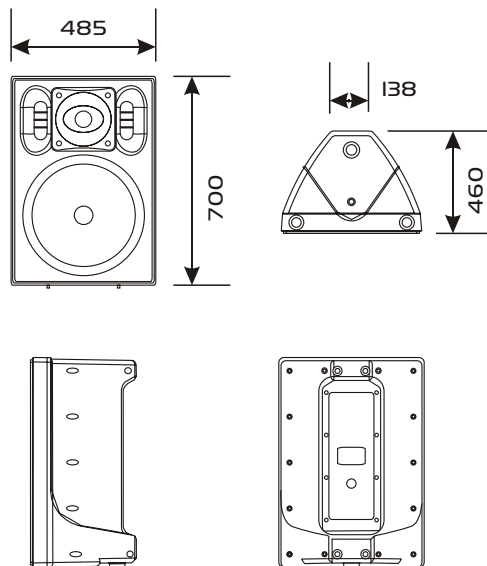
Impedance curve



Harmonic distortion 106db/2.5m, nominal impedance



Waterfall spectrum analysis



Cosmetic changes may be made